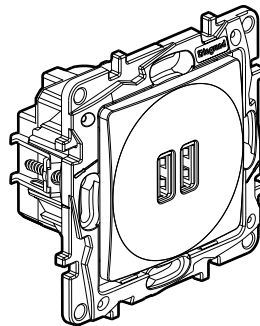


## Niloé™ USB universal charger - 2400 mA

Cat. No(s): 7 645 94 - 7 646 94



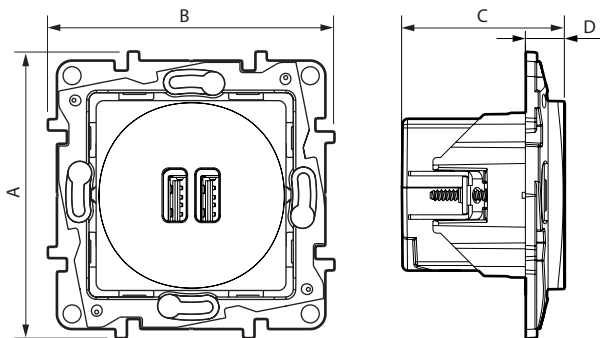
### 1. USE

For recharging portable devices such as phones, smartphones, tablets, PC, MP3 or MP4 players, loudspeakers, watches, game consoles, powerbanks.

### 2. RANGE

Description	White	Ivory
Double USB socket - 5 V - 2400 mA Supplied with support frame and cover plate To be equipped with plate	7 645 94	7 646 94

### 3. DIMENSIONS (mm)



A	B	C	D
76	76	42	9.5

### 4. CONNECTION

Type of terminals: with screws  
Terminal capacity: 2 x 2.5 mm<sup>2</sup>  
Stripping length: 6 mm  
Screwdriver: flat 3.5 mm

**Recommended use:** circuit terminal outlet

### 5. TECHNICAL CHARACTERISTICS

#### ■ 5.1 Mechanical characteristics

Impact tests: IK 04  
Penetration by solid bodies/liquid: IP 40

#### ■ 5.2 Material characteristics

Polyglass appearance  
Colour : - White RAL 9003  
- Ivory RAL 1013  
Material: - Cover: PC  
- Cover plate: ABS  
- Halogen free  
- UV resistant

Material of the support : - PC grey RAL 7037 + 10% glass fiber  
- Halogen free

Self-extinguishing:  
+ 850° C / 30 s for insulating parts holding live parts in place.  
+ 650° C / 30 s for other parts made of insulating materials.

#### ■ 5.3 Climatic characteristics

Storage temperature: - 20° C to + 70° C  
Operating temperature: 0° C to + 45° C

#### ■ 5.4 Electrical characteristics

All values listed below are measured at an ambient temperature of + 25° and after 15 minutes of operation.

Nominal input voltage	220 - 240 V~
Nominal input frequency	50-60 Hz
Maximum input current	300 mA
Maximum power consumption in standby	0.1 W
Power average efficiency	81 %
Nominal output voltage	5 V~
Maximum output current	2400 mA
No-load power consumption class and average efficiency level:	level VI*
Safety-standard	EN60950-1
Protection class	II - Low voltage

\*NB: European Regulation No. 278/2009 of 6 April 2009, Directive 2005/32/EC on eco-design requirements for AC/DC power supplies.

#### ■ 5.5 Average charging time for devices equipped with lithium ion polymer batteries:

- 80 % charged < 1 h 15  
- 100 % charged < 2 h 00

## 5. TECHNICAL CHARACTERISTICS *(continued)*

### ■ 5.6 Charge time for a smartphone with 2400 mA charger plug:

Manufacturer brand	Smartphone model	Charge time to 100 %
Samsung	Galaxy S6	1 h 43
Nokia	Lumia 735	2 h 11
Nokia	Lumia 930	2 h 11
Google	Nexus 6	3 h 02
Google	Nexus 7	2 h 58

\*Data valid as at 1 March 2016.

**Note:** To optimize the charging time of your device, ensure turn it off during the charging phase.

## 6. CLEANING

Surface cleaning with a cloth.

Do not use: acetone, tar remover, trichlorethylene.

**Caution:** A preliminary test should be carried out if specific cleaning products are to be used.

## 7. STANDARDS AND APPROVALS

IEC 60950-1: low voltage directive.

IEC 62684 / EN 50558 conform to the interoperability specifications of common external power supply (EPS) for use with mobile telephones.

Conform to eco design directive 2009/125/EC.